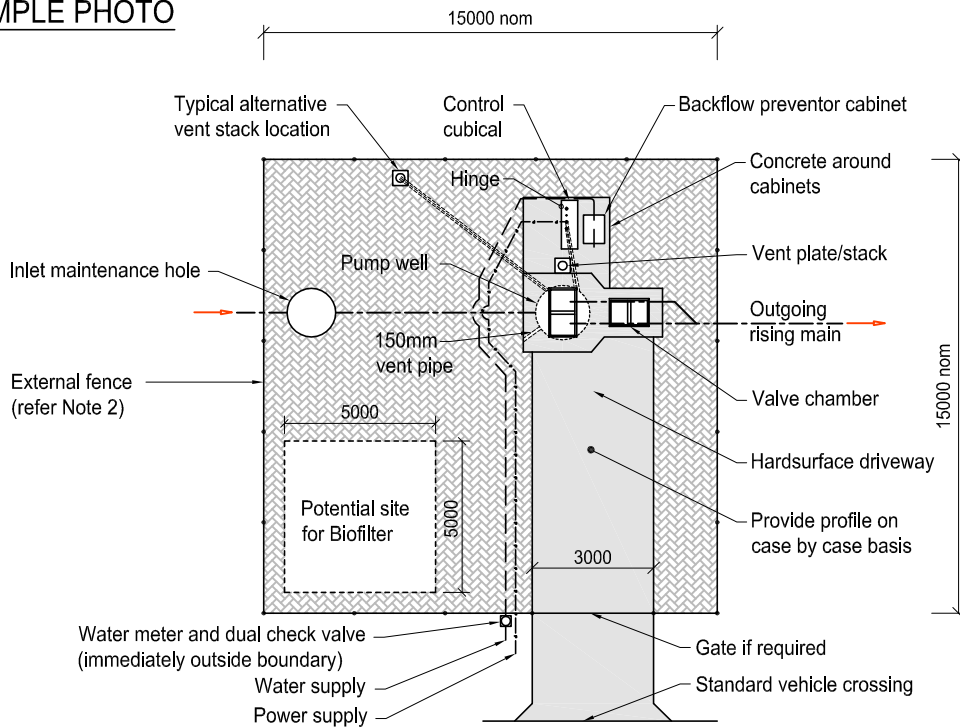




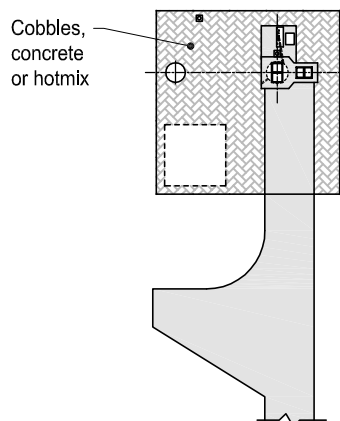
**EXAMPLE PHOTO**

**NOTES:**

1. Area around pump station shall be graded to prevent surface water flowing onto or over pump station cover slabs.
2. Vent pipe to be installed 500mm beyond concrete slab or driveway.



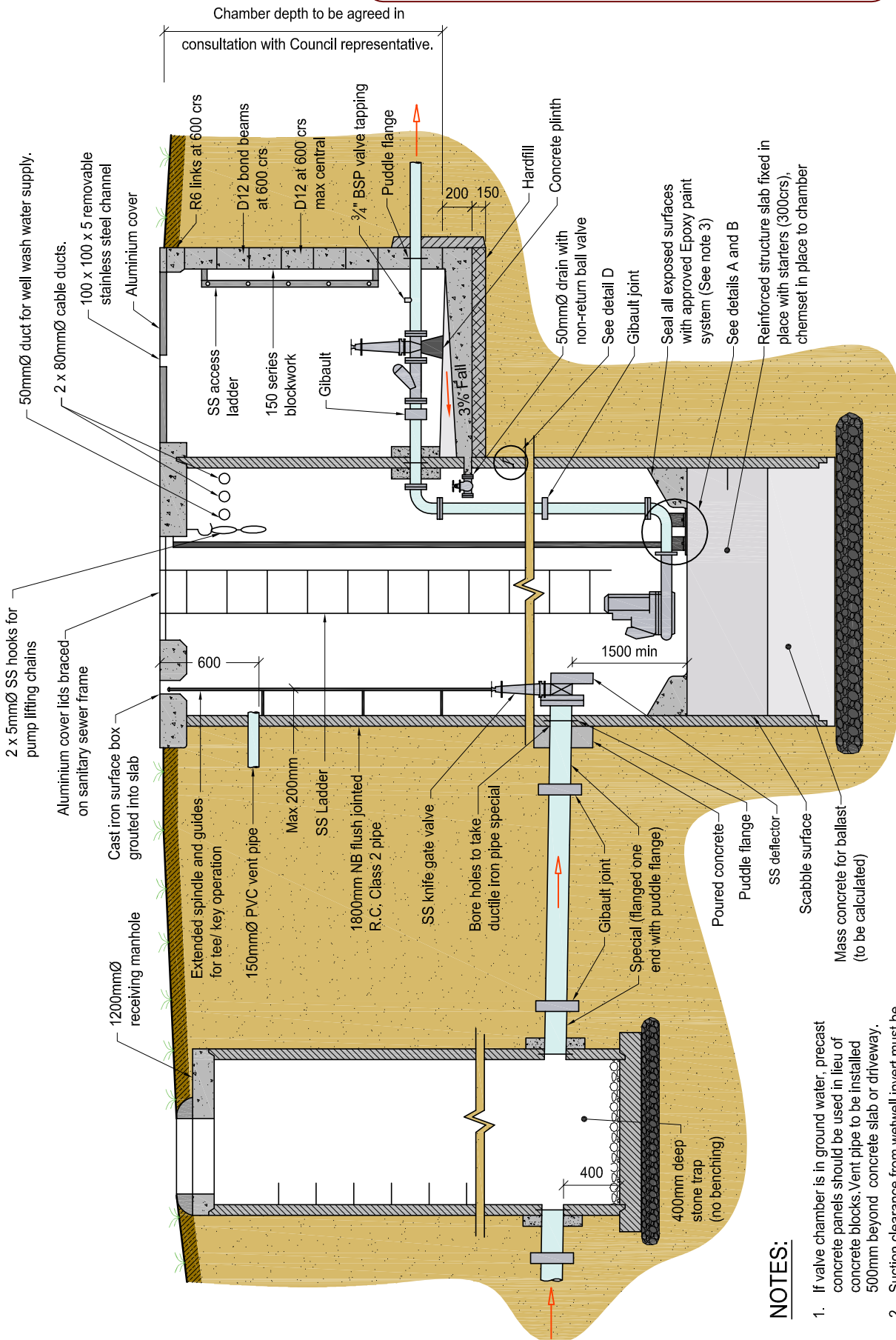
**TYPICAL LAYOUT FOR PUMP STATION SITES ACCESSIBLE FROM ADJACENT ROADWAY**



**ALTERNATIVE LAYOUT FOR PUMP STATION SITES NOT ACCESSIBLE FROM ADJACENT ROADWAY**

**TYPICAL SITE LAYOUT**

**W1101**



**NOTES:**

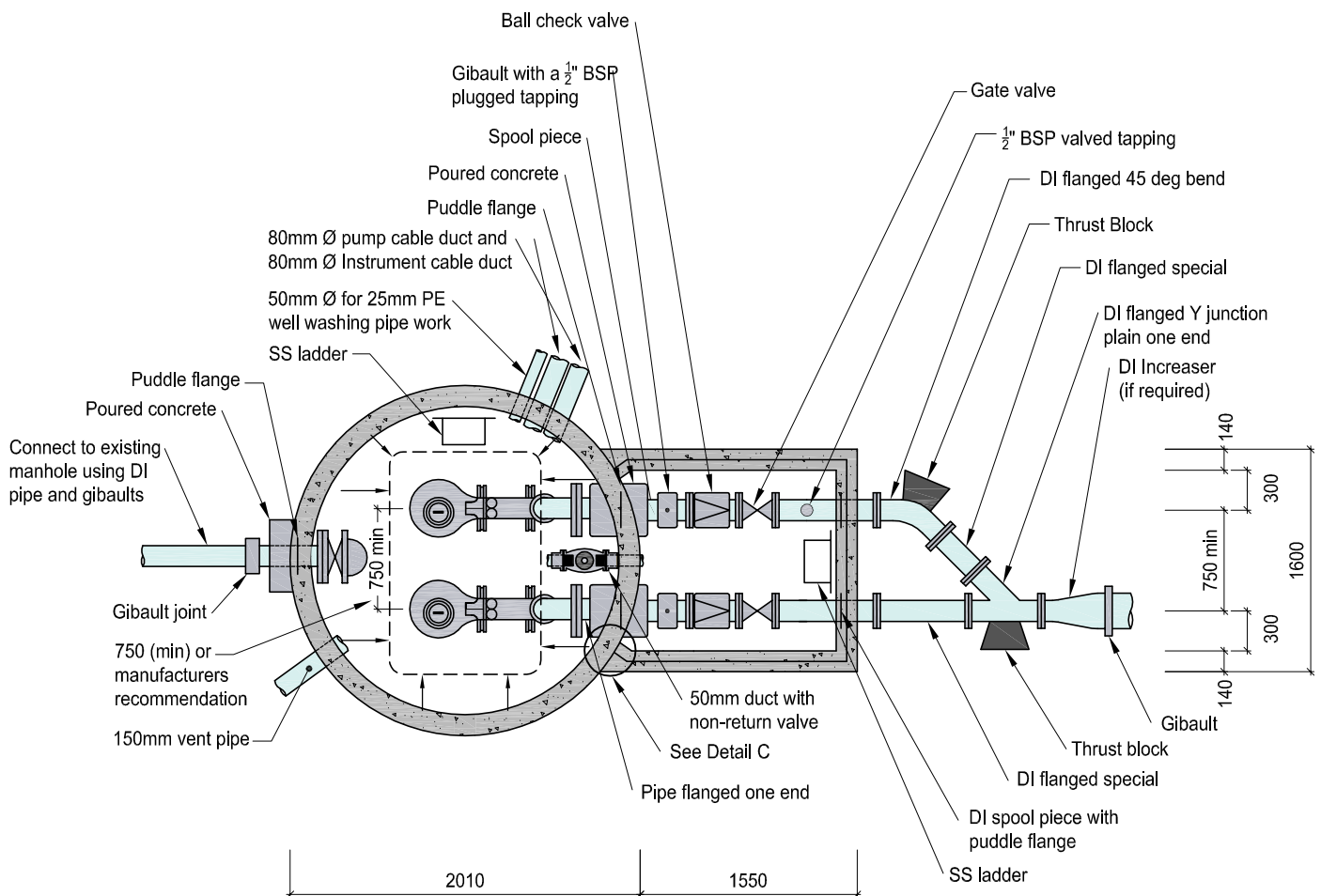
1. If valve chamber is in ground water, precast concrete panels should be used in lieu of concrete blocks. Vent pipe to be installed 500mm beyond concrete slab or driveway.
2. Suction clearance from wetwell invert must be according to manufacturers recommendations.
3. Expand concrete surface coating to have 1 primer + 2 top coats.

## ELEVATION SECTION

## W1102

## NOTES:

1. Unless stated otherwise all pipework to be DI or stainless steel (Schedule 10).
2. All stainless steel shall be 316 quality.
3. All nuts, bolts and washers shall be 316 stainless steel, and coated to prevent 'binding' prior to installation.
4. Denso-tape wrap protects all buried flanges, gibault joints and SS fasteners.
5. Pumps are to be Flygt type.
6. All DI pipe fittings and valves to be nylon coated.
7. No stainless steel pipe outside of wet well and valve chamber.
8. 750mm between pump centres is for standard Flygt 150mm MT pumps. Manufacturers recommendations for pump clearances must be followed.



## PLAN SECTION

# W1103

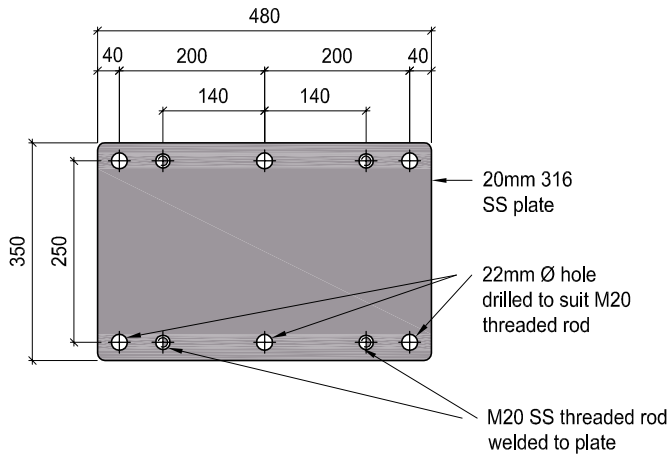
DEVELOPMENT CODE

VERSION 1  
AUG 09

1

## NOTES:

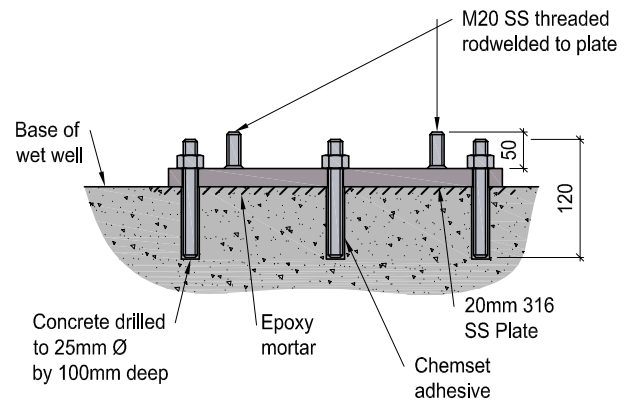
1. Base plate to be fabricated entirely from 316 stainless steel.
2. Pedestal bolt dimensions must be confirmed by pump manufacturer.
3. All metal fasteners to be 316 stainless steel.



### DETAIL A

#### PEDESTAL BASE PLATE

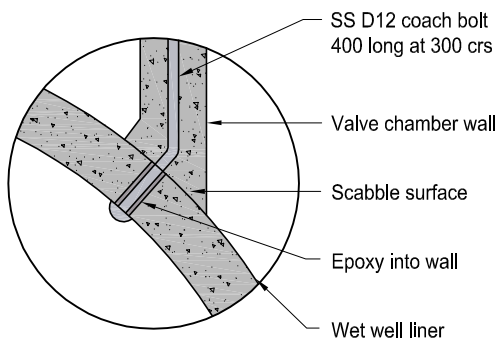
Typical for Flygt 100 & 150mm MT Pump  
Other sizes will be necessary for larger pedestal sizes



### DETAIL B

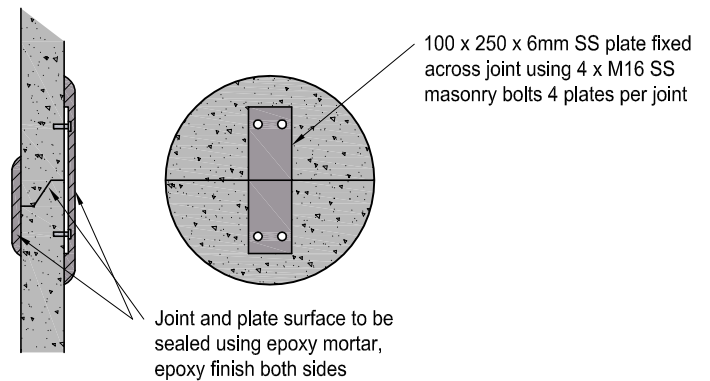
#### PEDESTAL MOUNTING

(For Flygt 150mm MT Pump)



### DETAIL C

#### CONNECTION VALVE CHAMBER TO WET WELL



### DETAIL D

#### WET WELL RISER CONNECTION

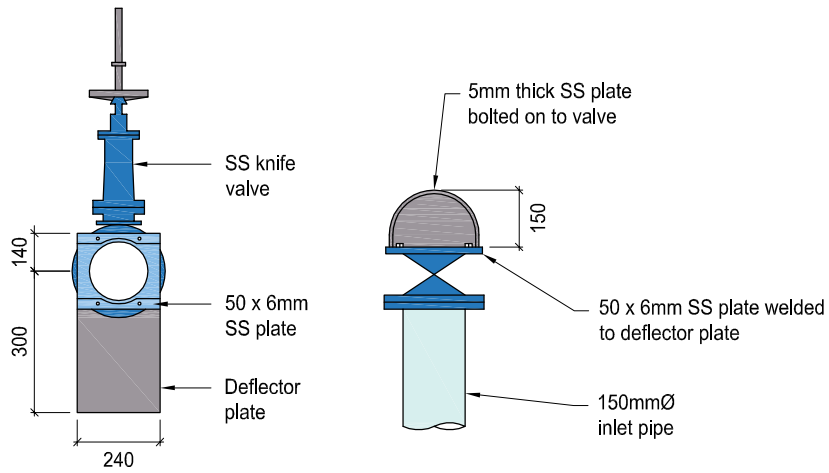
## DETAIL

PEDESTAL BASE PLATE, PEDESTAL MOUNTING, VALVE CHAMBER & RISER

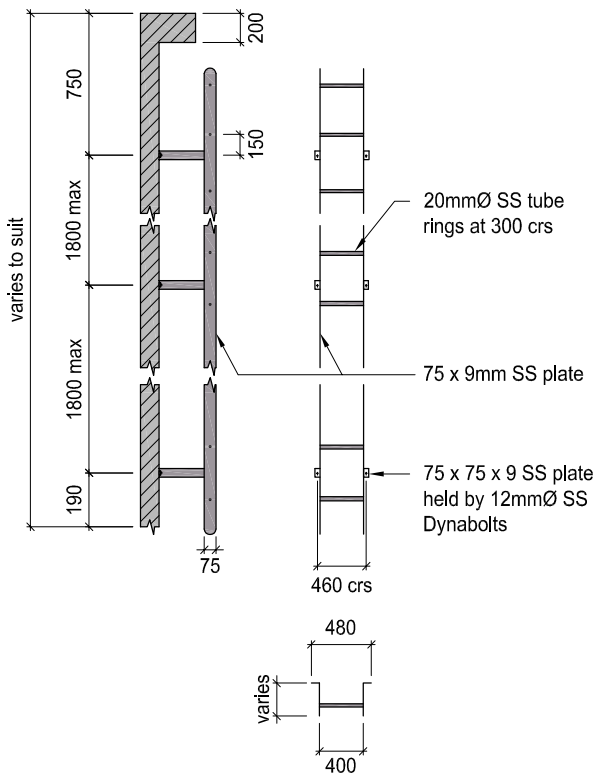
# W1104

## NOTES:

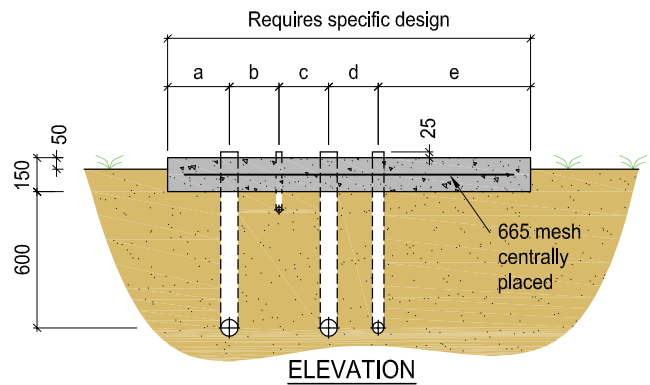
- All dimensions must be agreed with electrical contractor.



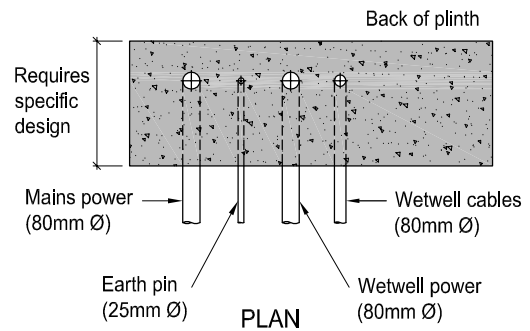
**DEFLECTOR PLATE DETAIL (150mmØ)**



**LADDER DETAIL**



**ELEVATION**

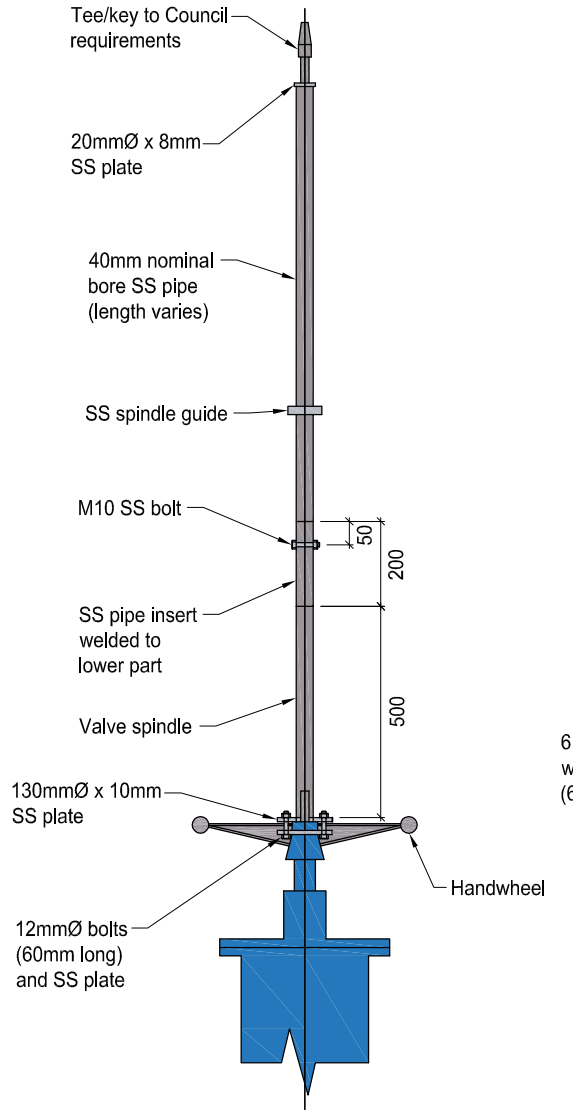


**PLAN**

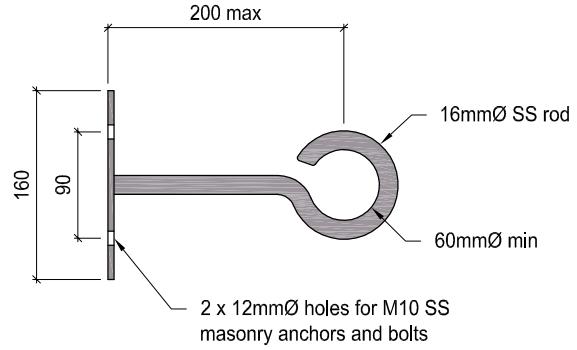
**PLINTH DETAILS**

**DETAIL**  
DEFLECTOR PLATE, LADDER & PLINTH

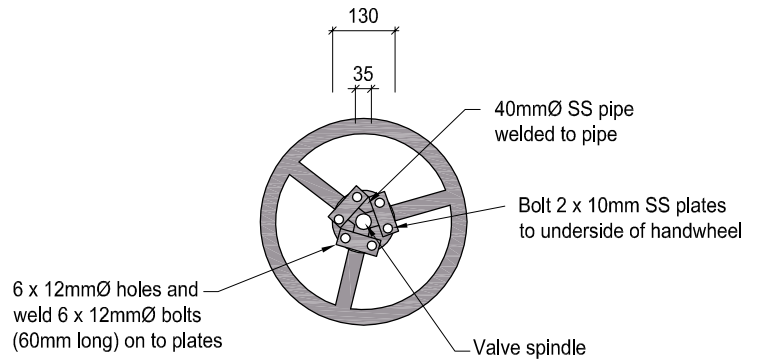
**W1105**



VALVE EXTENSION SPINDLE DETAIL



SPINDLE GUIDE DETAIL



HANDWHEEL DETAIL

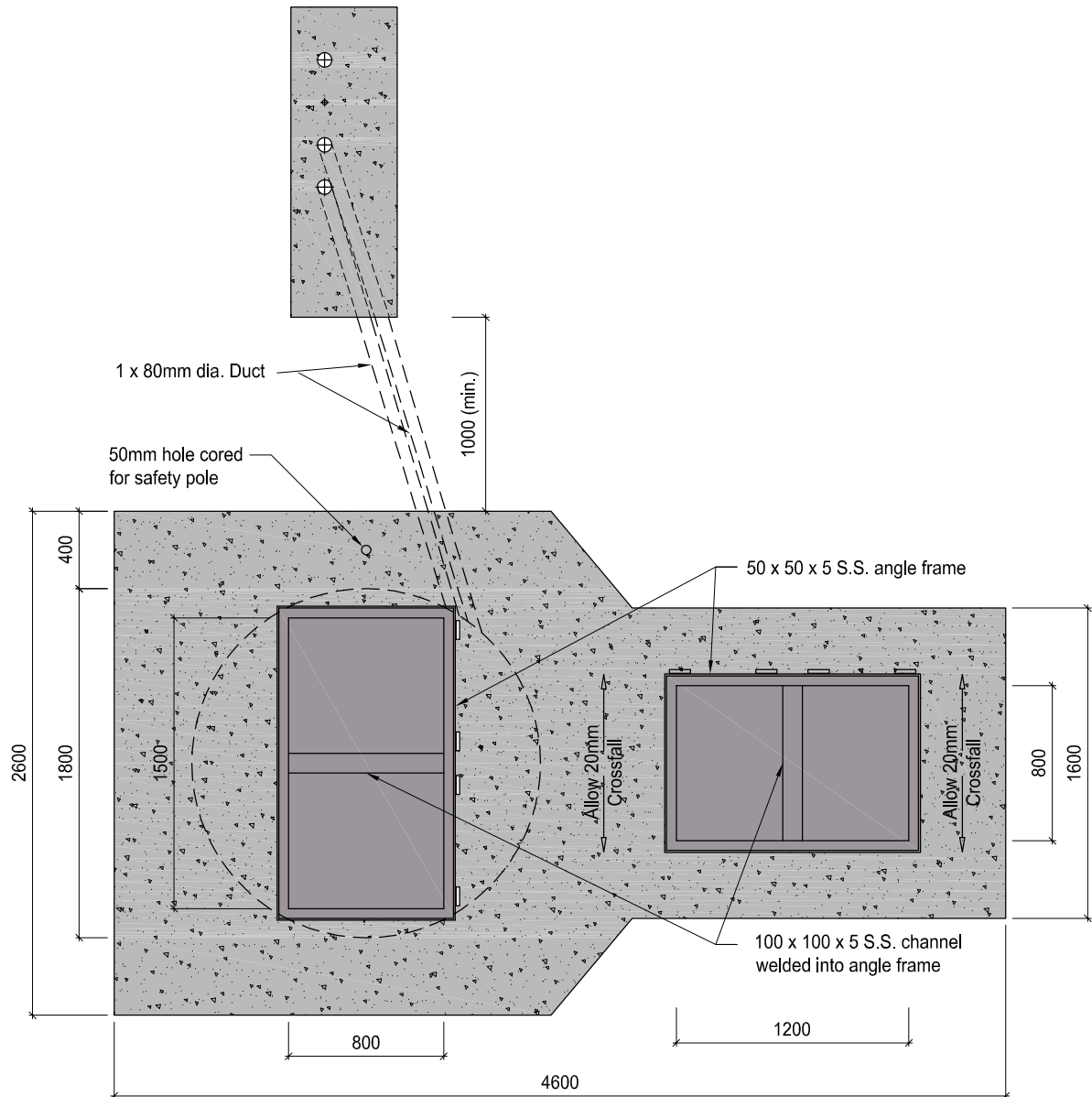
**DETAIL**

VALVE EXTENSION SPINDLE, SPINDLE GUIDE AND HANDWHEEL

**W1106**

## NOTES:

1. All dimensions shown are a minimum.
2. Large pumps may require greater dimensioning which will need Council approval.
3. Location of plinth to be agreed on site in consultation with Council representative.
4. Location of safety hole to be agreed on site in consultation with Council representative.

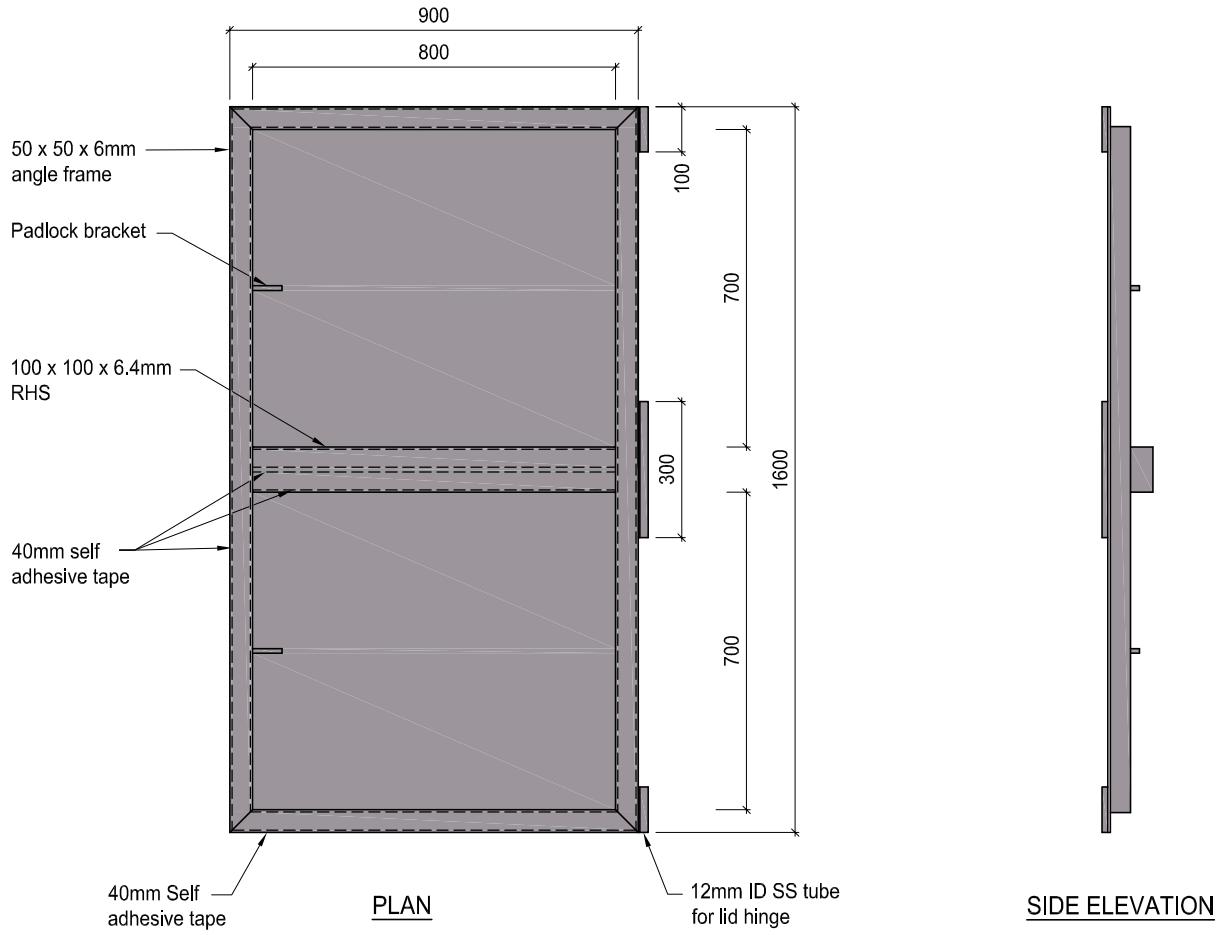


**DETAIL**  
COVER SLAB

**W1107**

**NOTES:**

1. The entire frame is to be constructed of stainless steel.



**CHAMBER FRAME**

**DETAIL  
FRAME**

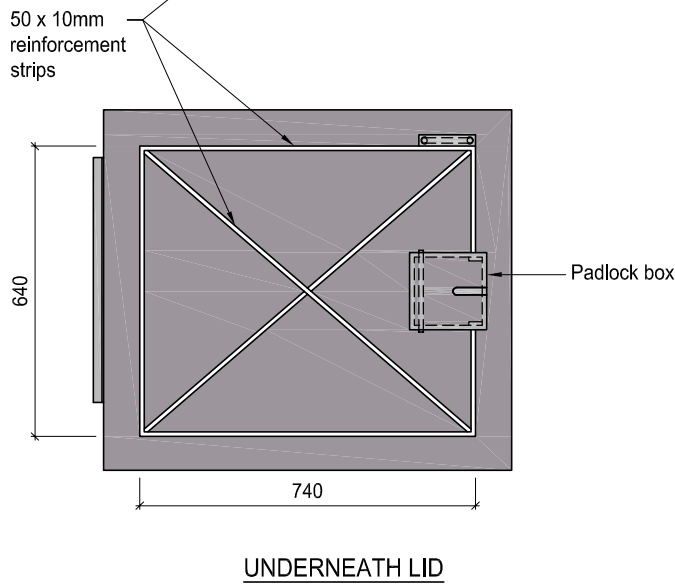
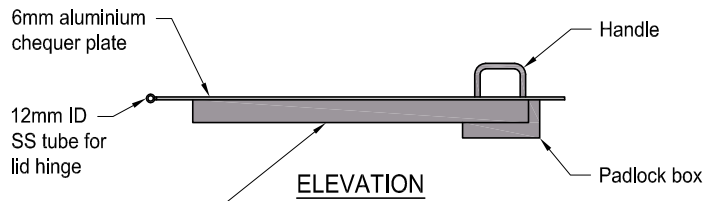
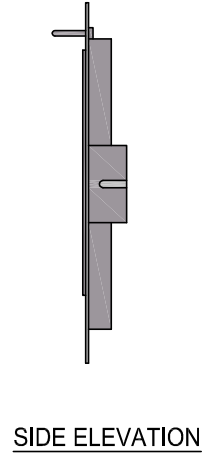
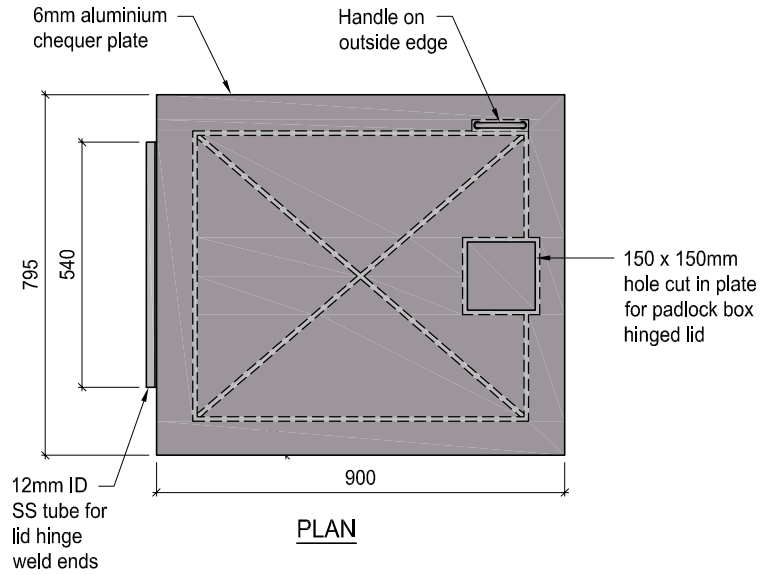
**W1108**

DEVELOPMENT CODE

VERSION 1  
AUG 09

1





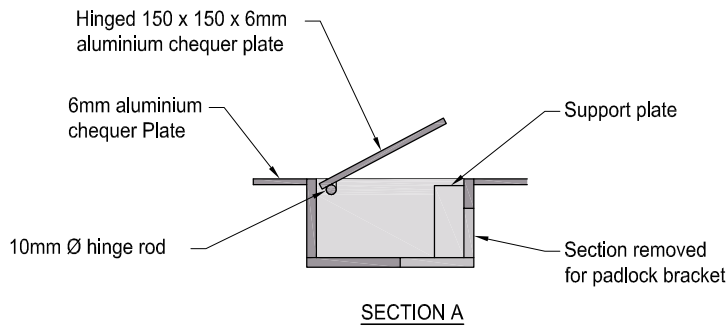
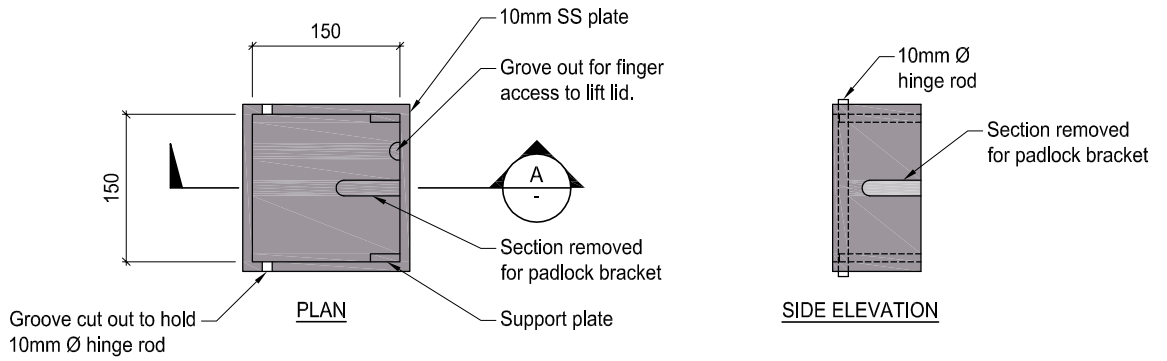
DETAIL  
CHAMBER LID

W1109

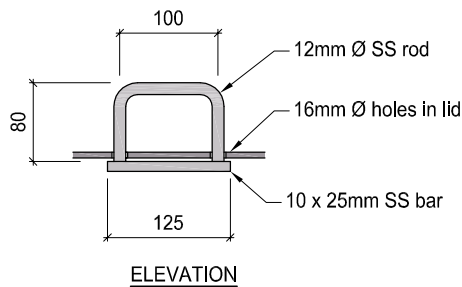
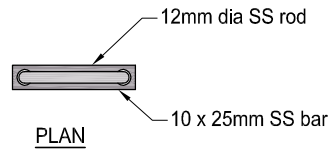
DEVELOPMENT CODE

VERSION 1  
AUG 09

1



PADLOCK BOX DETAIL



HANDLE DETAIL

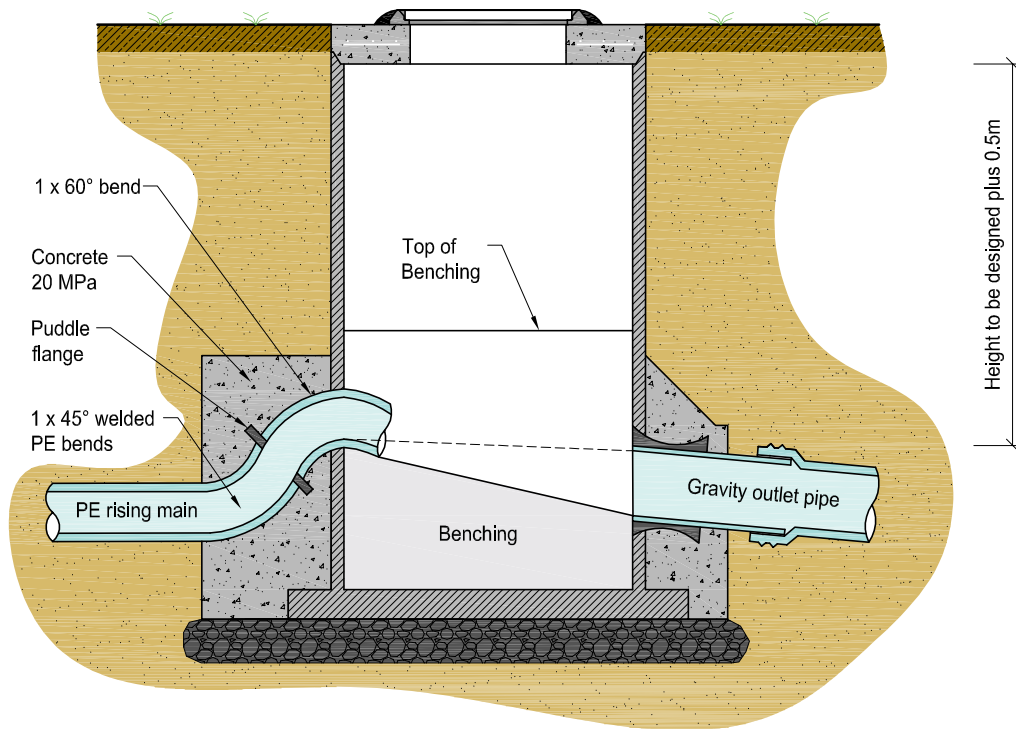
**DETAIL**  
CHAMBER LID PADLOCK & HANDLE

**W1110**

DEVELOPMENT CODE

VERSION 1  
AUG 09

1

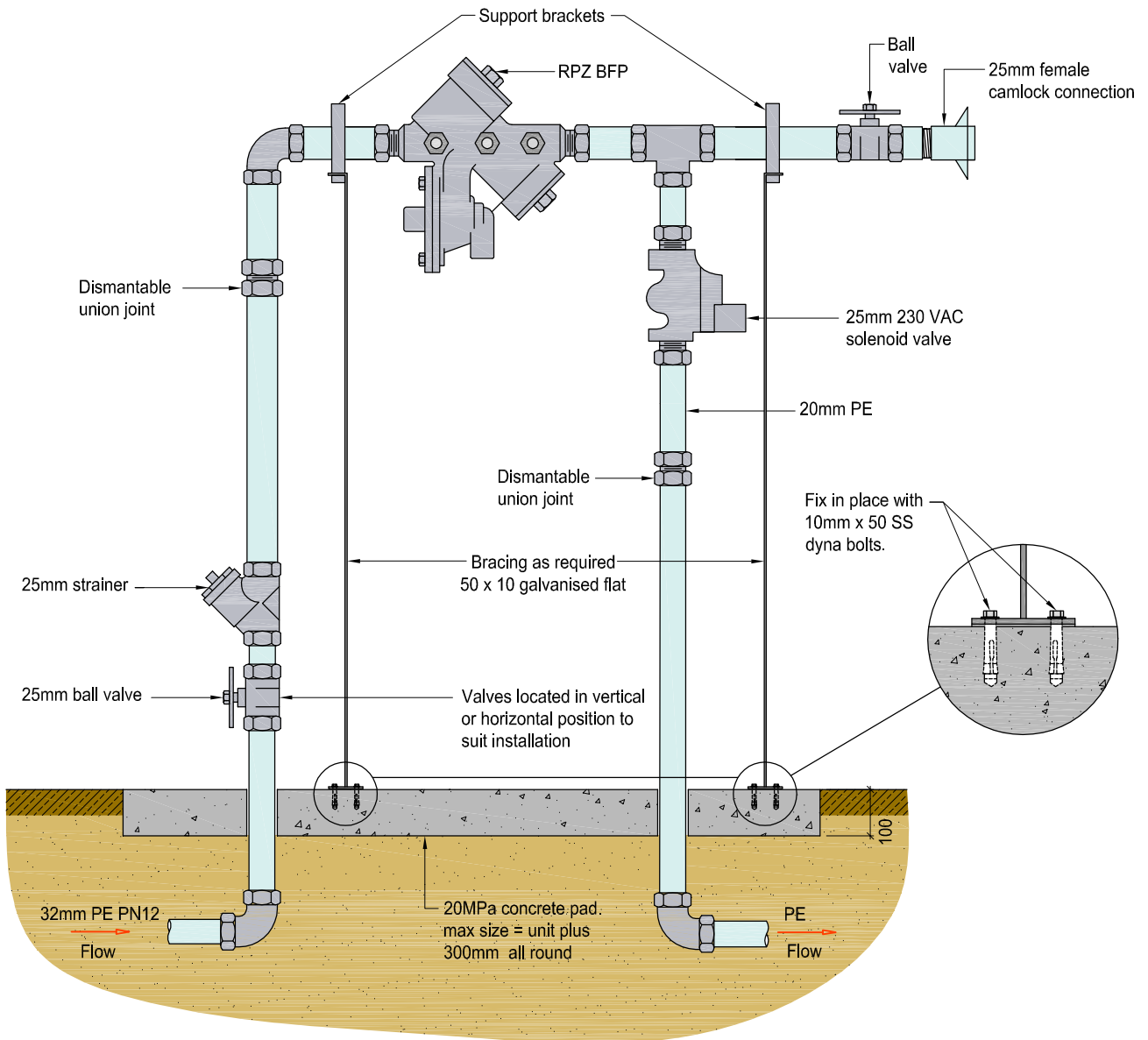


ALTERNATE RISING MAIN  
ENTRY TO RECEIVING MANHOLE

W1111

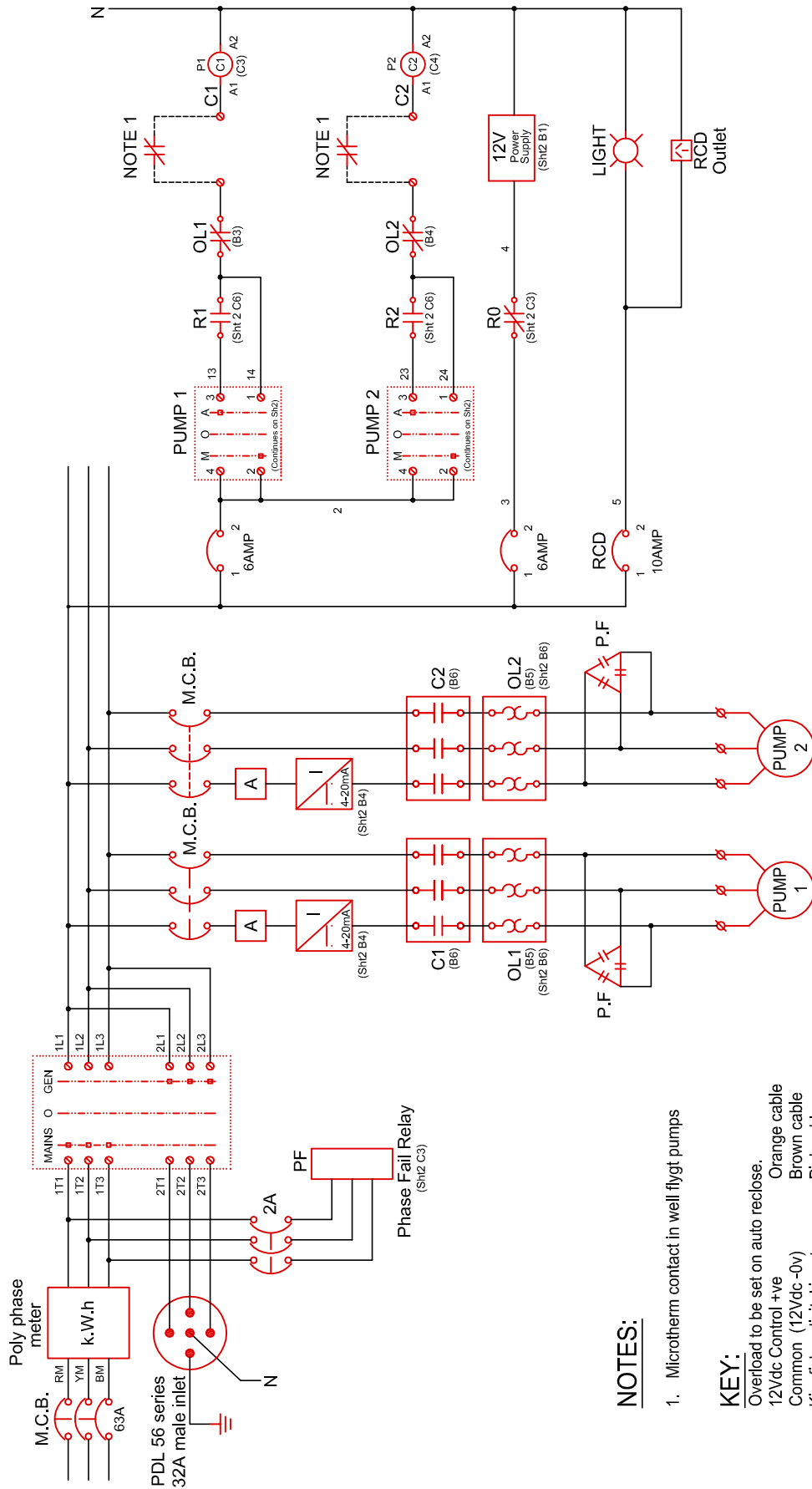
## NOTES:

1. Protective cage to be approved by the Engineer, and is to be powder coated to match electrical control cabinet. No galvanised pipework to be used.
2. RPZ must be a minimum of 300mm above top of concrete plinth.



## 25mm WATER SERVICE CONNECTION

# W1112



**NOTES:**

1. Microtherm contact in well flygt pumps

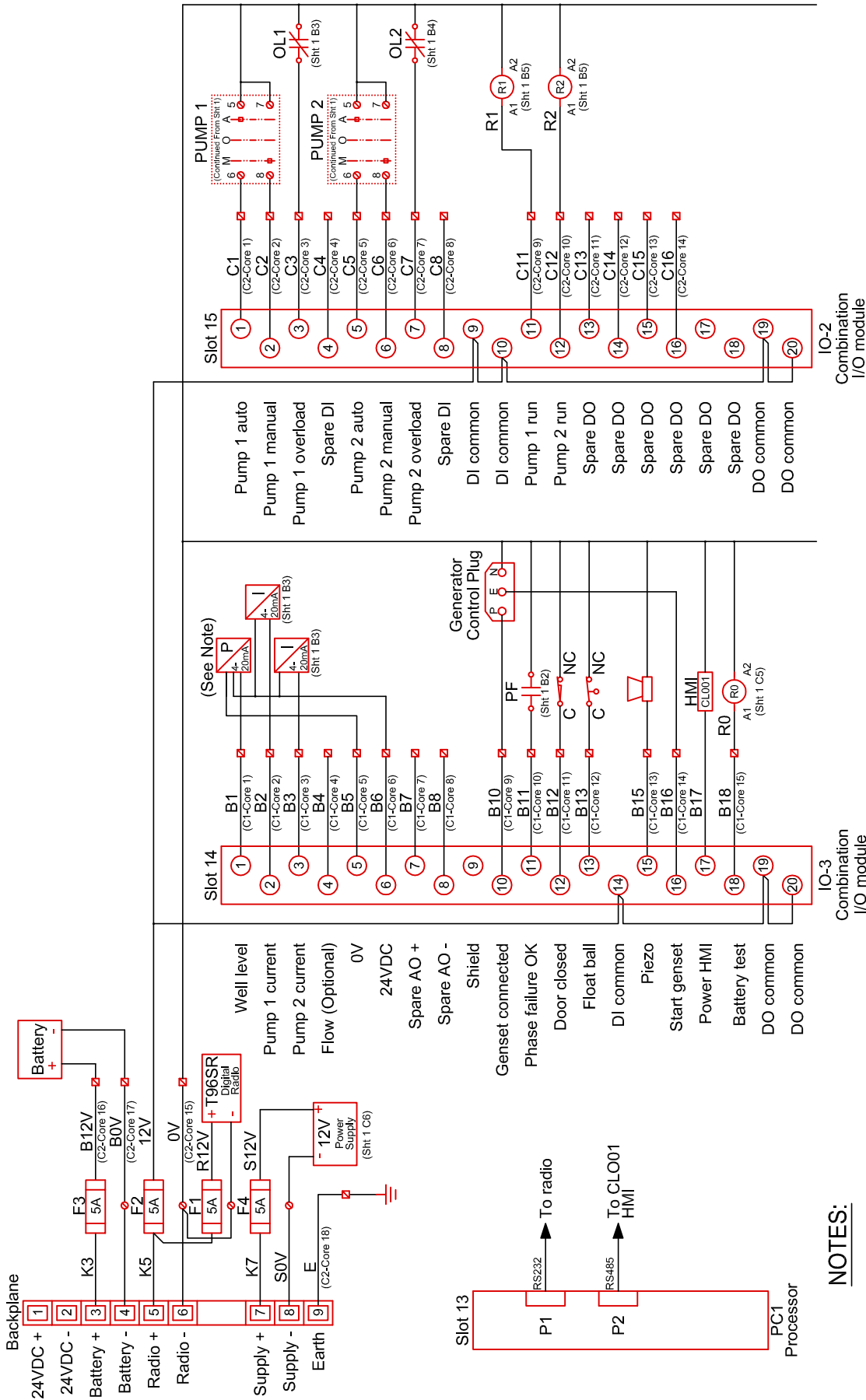
**KEY:**

- Overload to be set on auto reclose.
- 12Vdc Control +ve
- Orange cable
- Common (12Vdc -0v)
- Brown cable
- Kingfisher digital input
- Pink cable
- 230V . control
- Red cable
- Generator control
- Violet cable
- Kingfisher analog inputs
- Grey cable

## ELECTRICAL

STANDARD 2 PUMP STN WITHOUT SOFT STARTERS (1 OF 2)

# W1113



**NOTES:**

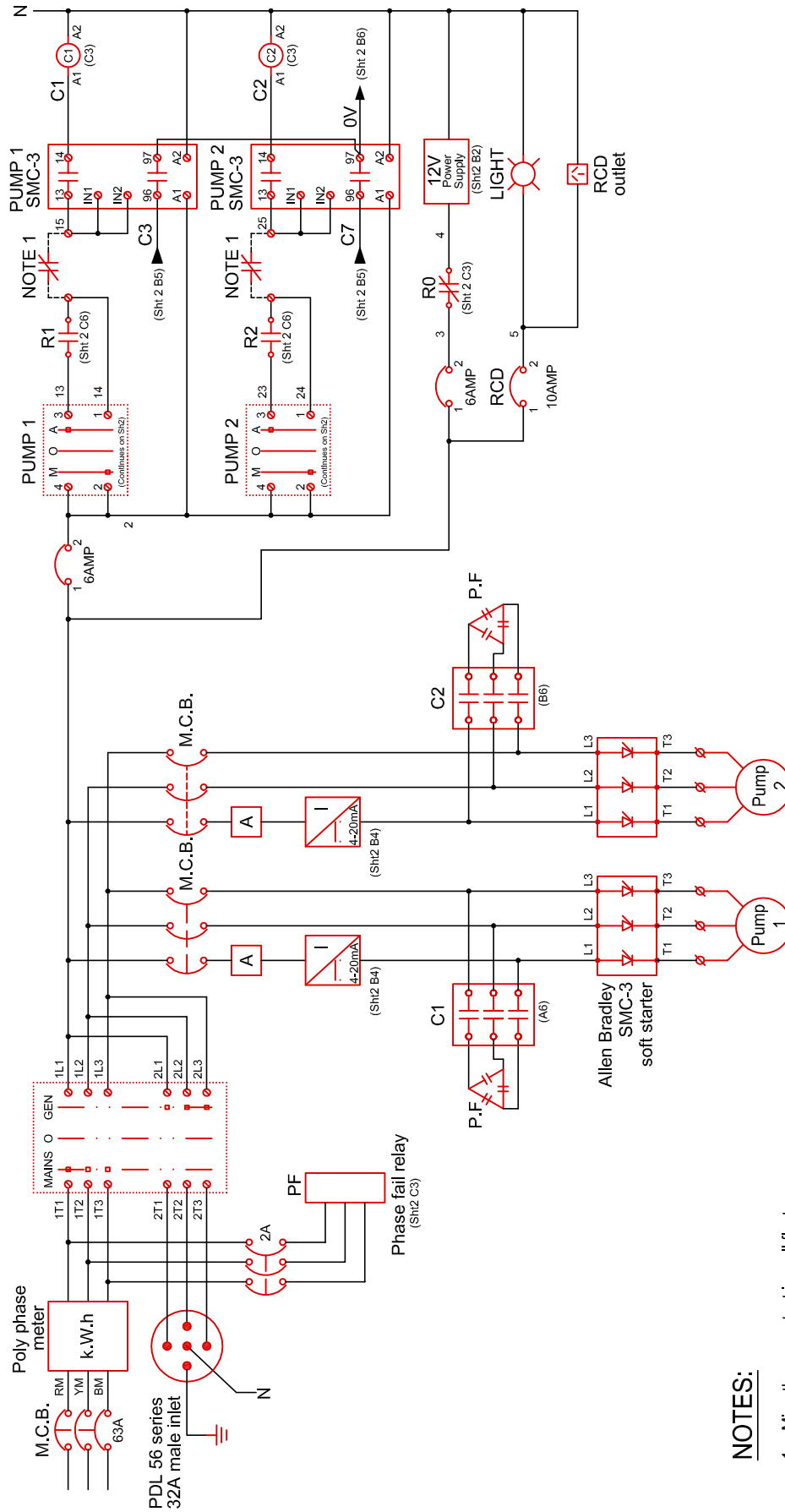
1. Sensor may be externally powered or may be line powered so connections will vary.

**KEY:**

- ◻ Telemetry enclosure terminal
- ◻ Interface terminal rail

**ELECTRICAL**  
STANDARD 2 PUMP STN WITHOUT SOFT STARTERS (2 OF 2)

**W1114**



### NOTES:

1. Microtherm contact in well flygt pumps

### KEY:

- Overload to be set on auto reclose.
- 12Vdc Control +ve Orange cable
- Common (12Vdc -0v) Brown cable
- Kingfisher digital input Pink cable
- 230V. control Red cable
- Generator control Violet cable
- Kingfisher analog inputs Grey cable

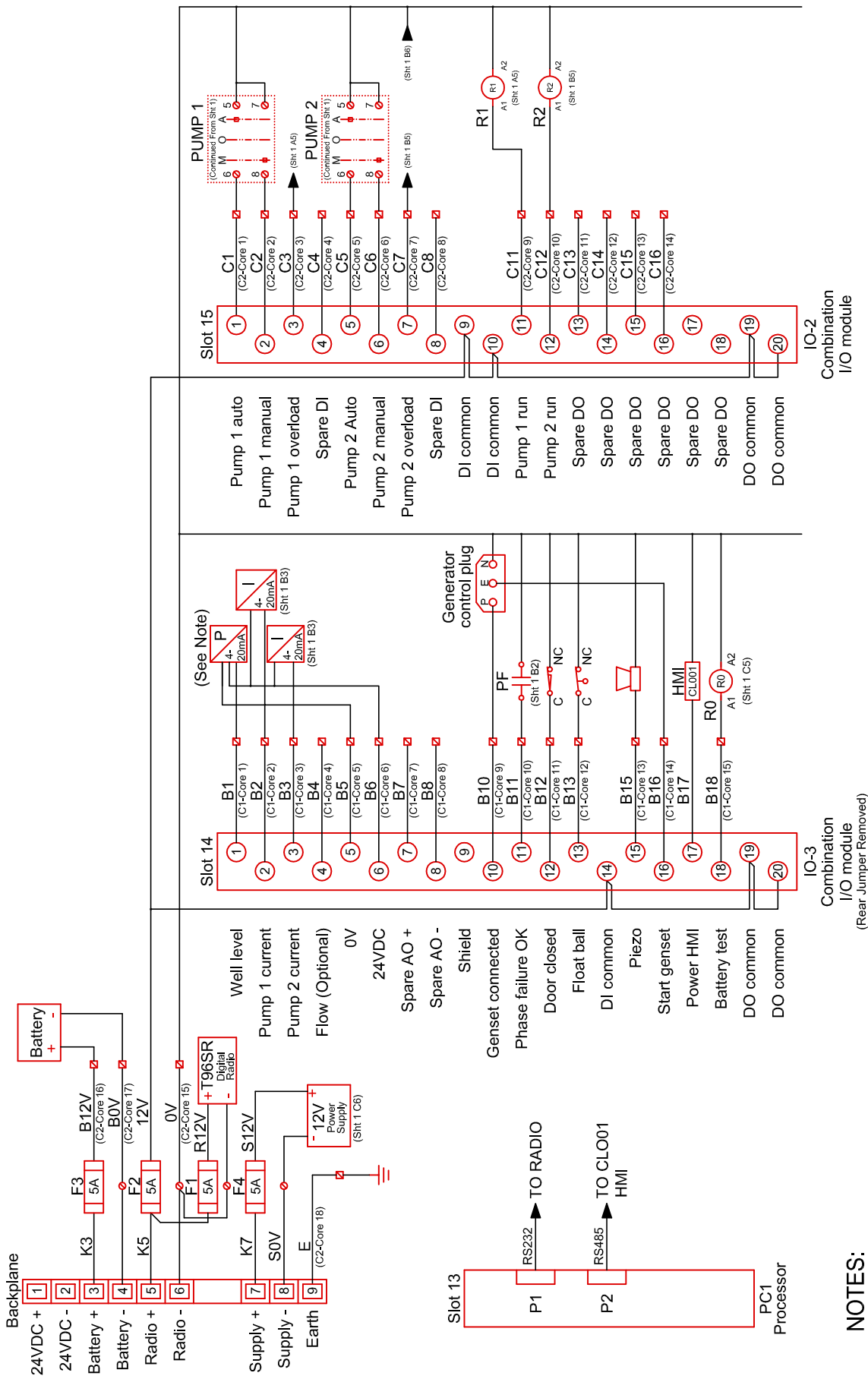
## ELECTRICAL STANDARD 2 PUMP STN SMC - 3 SOFT STARTERS (1 OF 2)

# W1115

DEVELOPMENT CODE

VERSION 1  
AUG 09

1



## ELECTRICAL

STANDARD 2 PUMP STN SMC - 3 SOFT STARTERS (2 OF 2)

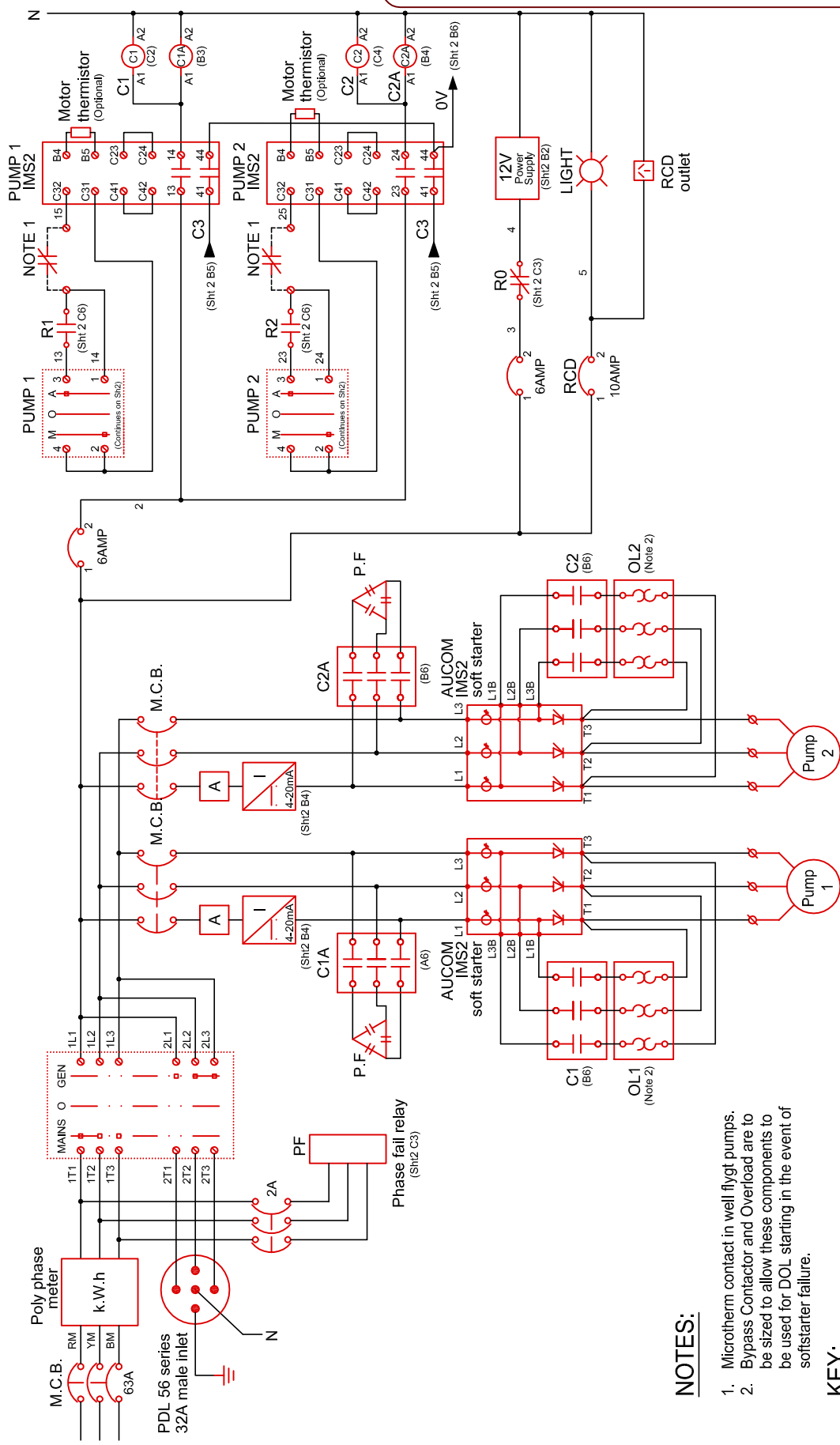
# W1116

DEVELOPMENT CODE

VERSION 1  
AUG 09

1





**NOTES:**

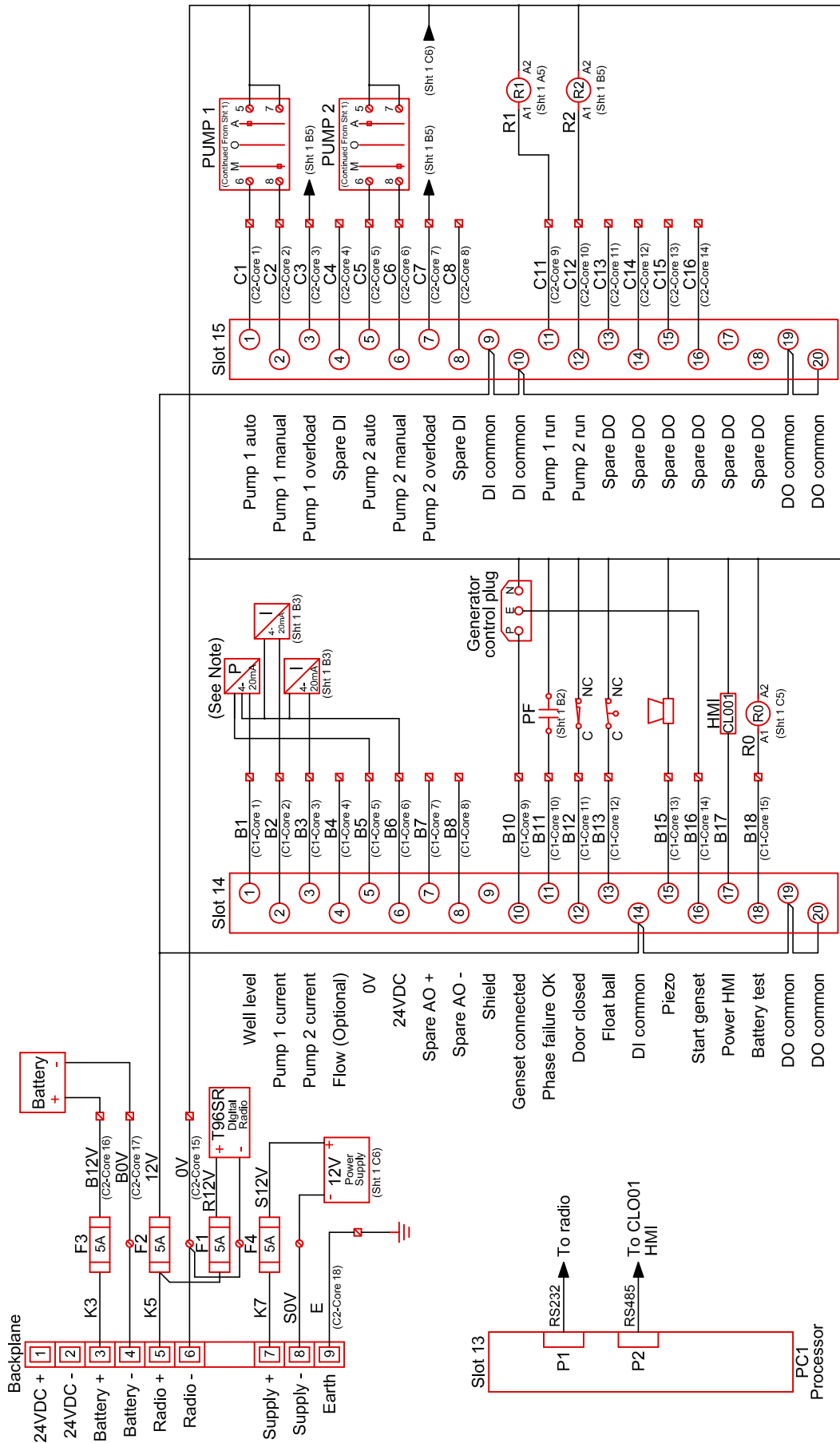
1. Microtherm contact in well flygt pumps.
2. Bypass Contactor and Overload are to be sized to allow these components to be used for DOL starting in the event of softstarter failure.

**KEY:**

- Overload to be set on auto reclose.
- 12Vdc Control +ve Orange cable
- Common (12Vdc -0v) Brown cable
- Kingfisher digital input Pink cable
- 230V. control Red cable
- Generator control Violet cable
- Kingfisher analog inputs Grey cable

## ELECTRICAL STANDARD 2 PUMP STN IMS2 SOFT STARTERS (1 OF 2)

# W1117



IO-2  
Combination  
I/O module

IO-3  
Combination  
I/O module  
(Rear Jumper Removed)

**NOTES:**

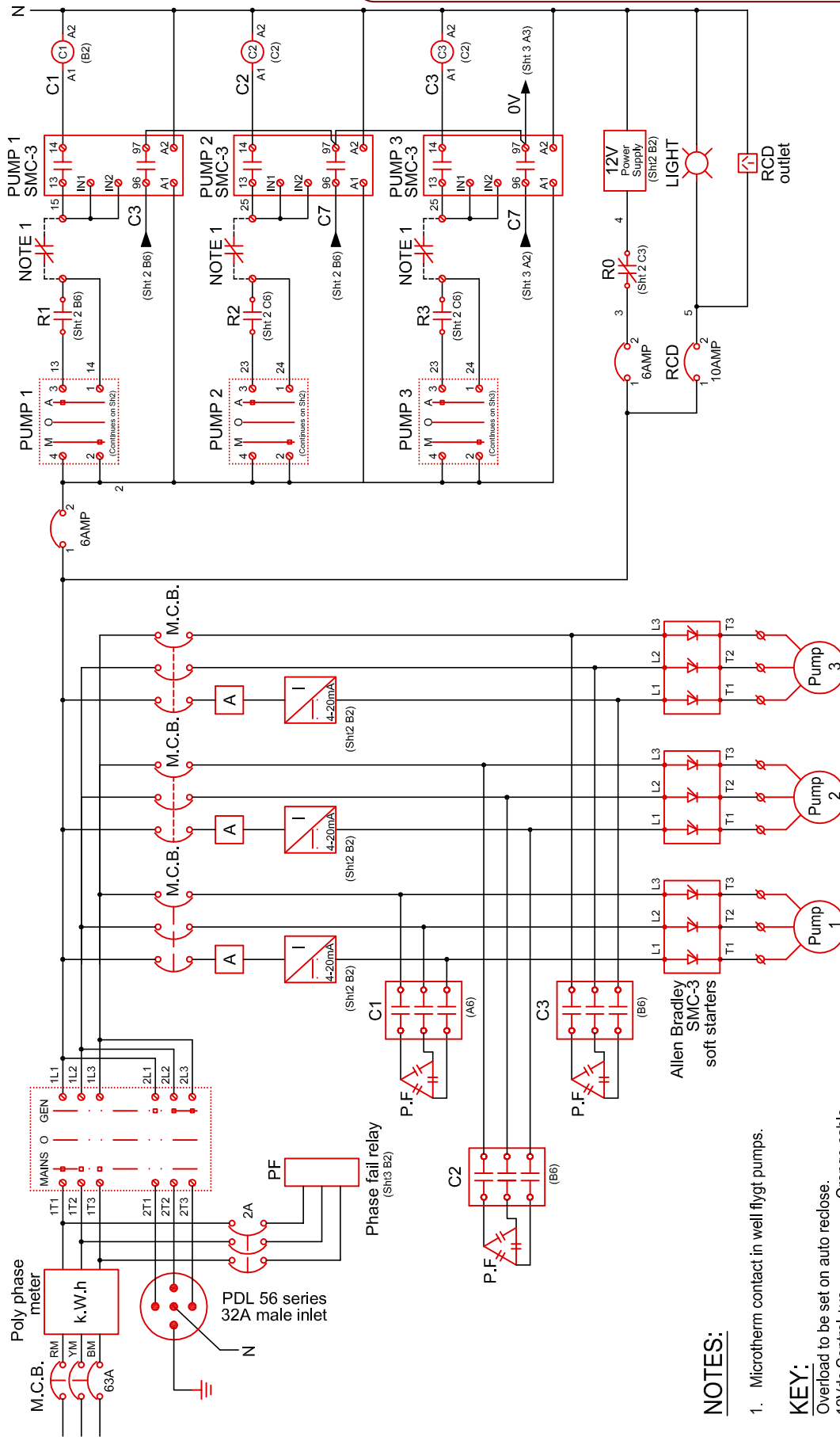
- Sensor may be externally powered or may be line powered so connections will vary.

**KEY:**

- Telemetry enclosure terminal
- ⊠ Interface terminal rail

## ELECTRICAL STANDARD 2 PUMP STN IMS2 SOFT STARTERS (2 OF 2)

# W1118



## ELECTRICAL

### STANDARD 2 PUMP STN ISMC - 3 SOFT STARTERS (1 OF 3)

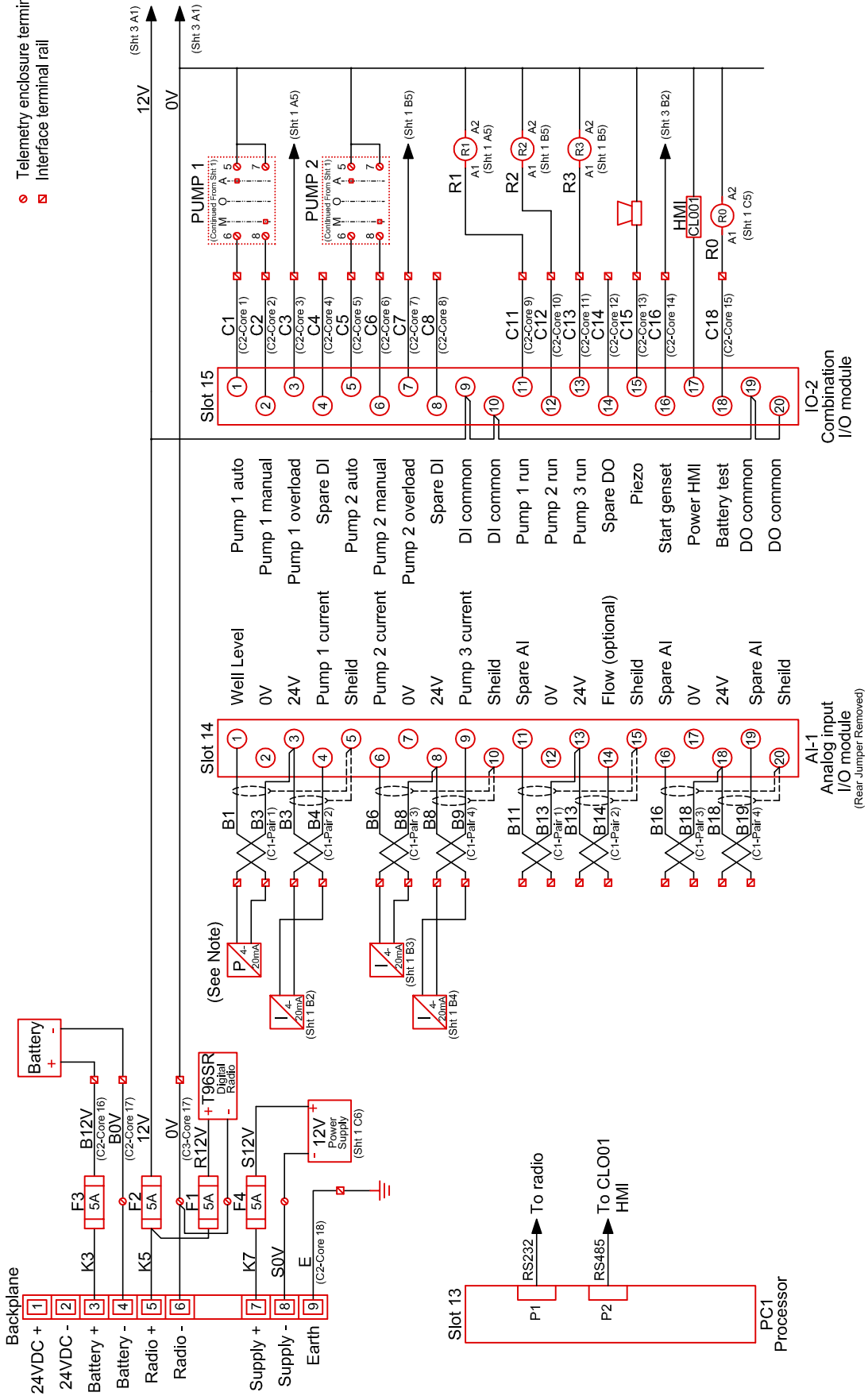
# W1119

### NOTES:

- If sensor loop is externally powered then connect to B2 instead of B3.

### KEY:

- Telemetry enclosure terminal
- Interface terminal rail



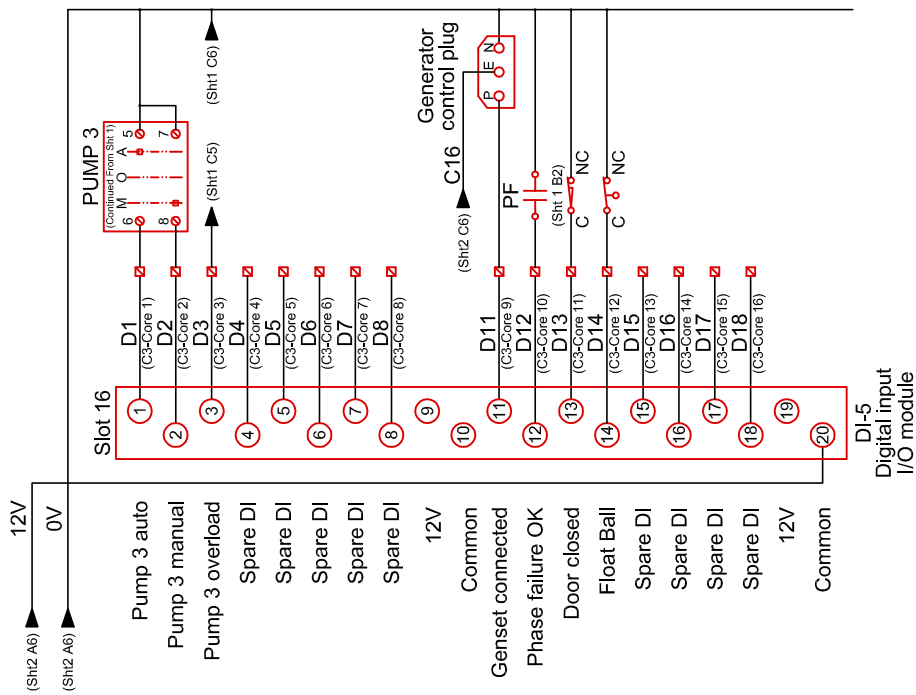
## ELECTRICAL

### STANDARD 2 PUMP STN ISMC - 3 SOFT STARTERS (2 OF 3)

# W1120

**KEY:**

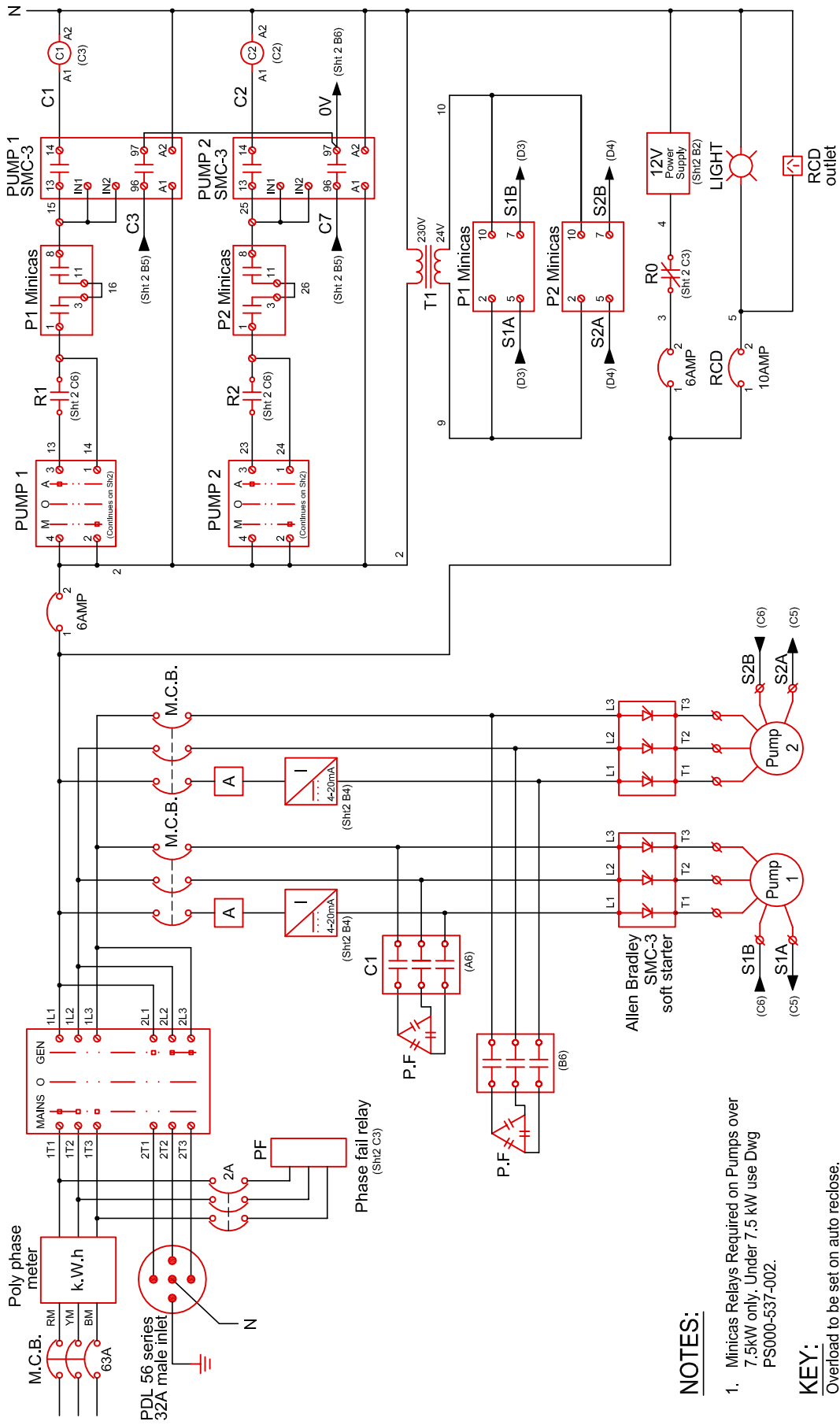
- Telemetry enclosure terminal
- Interface terminal rail



**ELECTRICAL**

STANDARD 2 PUMP STN ISMC - 3 SOFT STARTERS (3 OF 3)

**W1121**



**NOTES:**

1. Minicas Relays Required on Pumps over 7.5kW only, Under 7.5 kW use Dwg PS000-537-002.

**KEY:**

- Overload to be set on auto reclose.
- 12Vdc Control +ve Orange cable
- Common (12Vdc -0v) Brown cable
- Kingfisher digital input Pink cable
- 230V. control Red cable
- Generator control Violet cable
- Kingfisher analog inputs Grey cable

## ELECTRICAL

### 2 PUMP STN MINCAS SMC-3 SOFT STARTERS (1 OF 2)

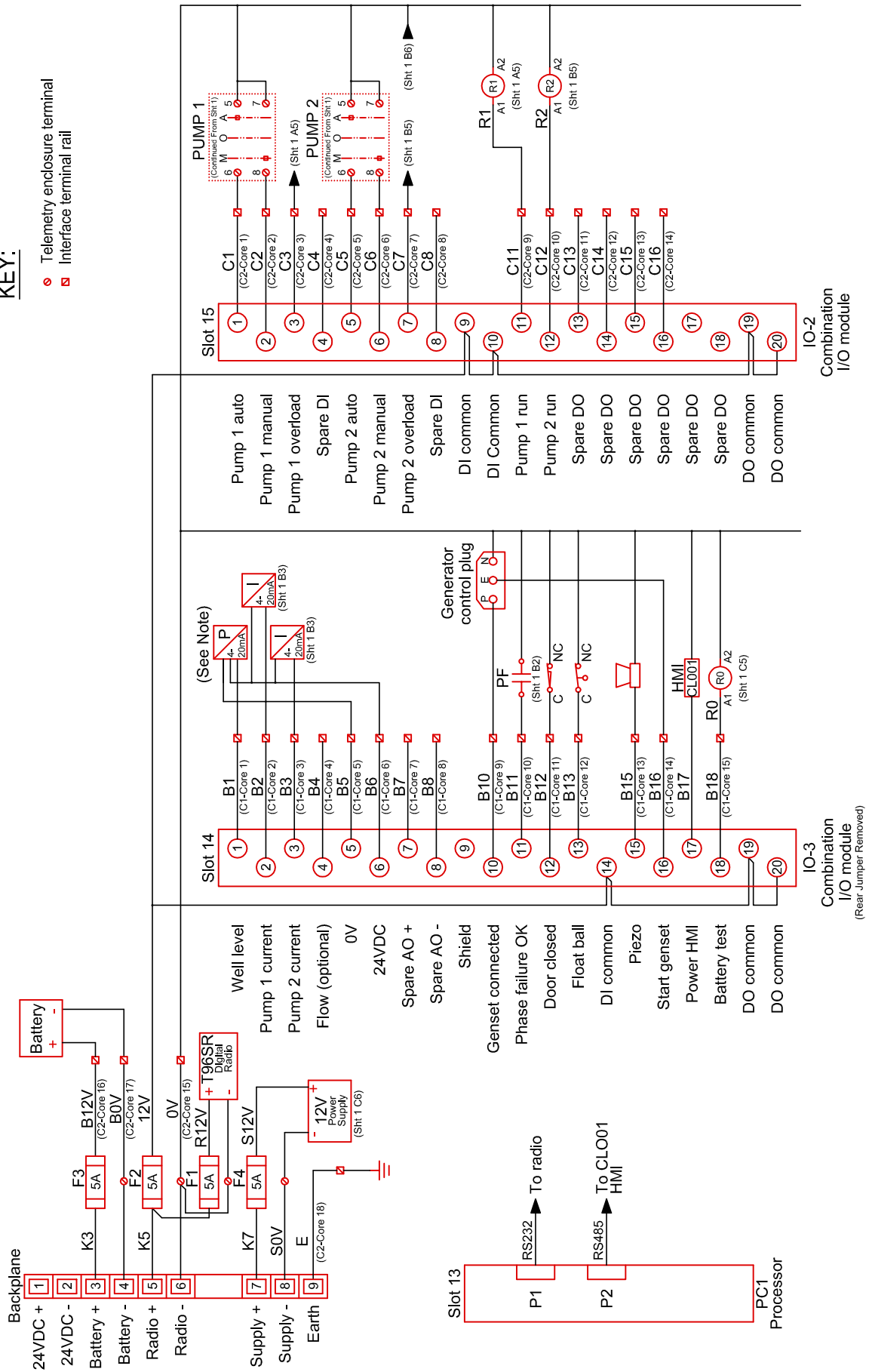
# W1122

**NOTES:**

- Sensor may be externally powered or may be line powered so connections will vary.

**KEY:**

- Telemetry enclosure terminal
- Interface terminal rail



## ELECTRICAL

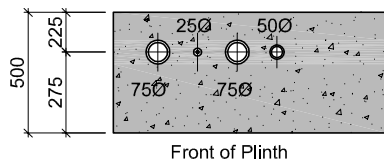
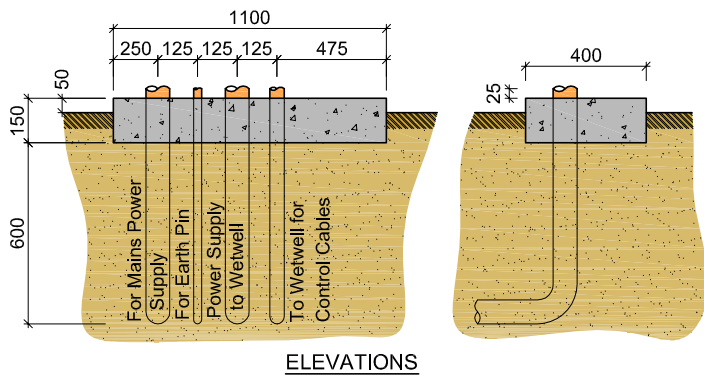
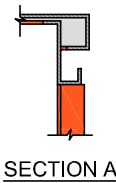
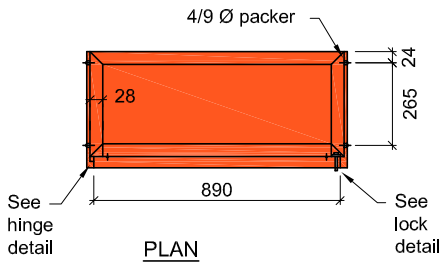
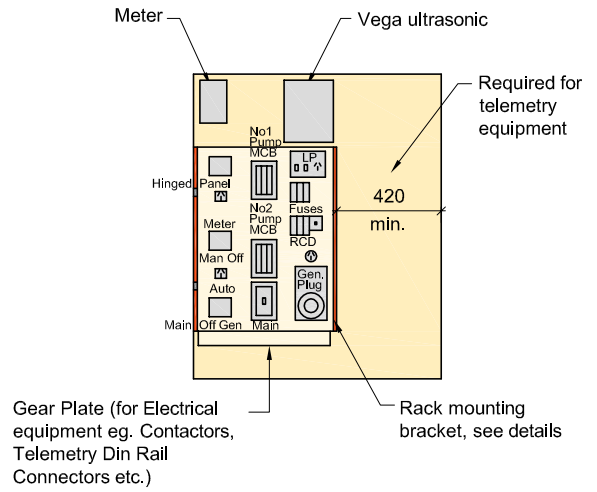
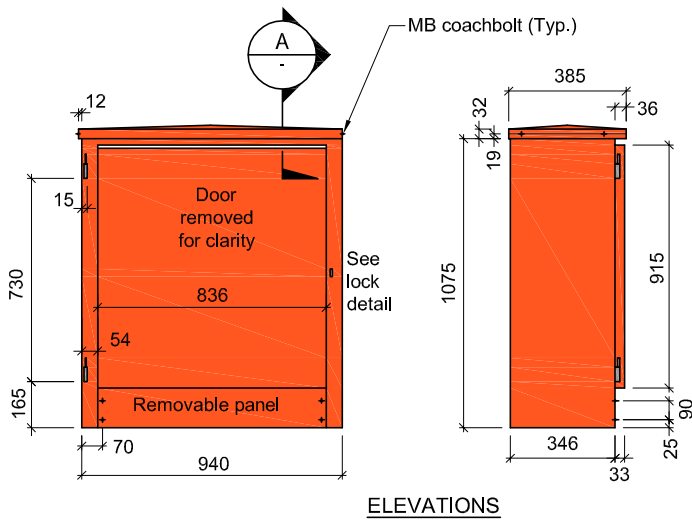
2 PUMP STN MINCAS SMC-3 SOFT STARTERS (2 OF 2)

# W1123

DEVELOPMENT CODE

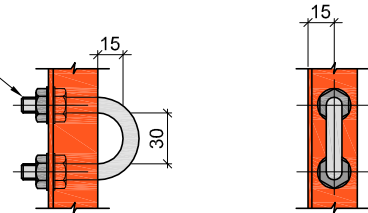
VERSION 1  
AUG 09

1



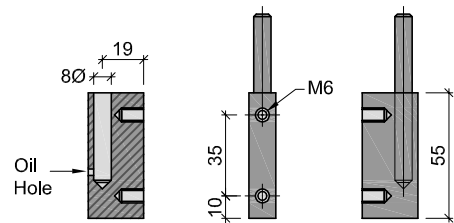
**PLINTH DETAIL**

MB SS rod with SS Nuts & Washers



Note:  
Cut slot in Door to suit.

**LOCK DETAIL**



**HINGE DETAIL**

**ELECTRICAL**  
PUMPING STATION CABINET

**W1124**

DEVELOPMENT CODE

VERSION 1  
AUG 09

1