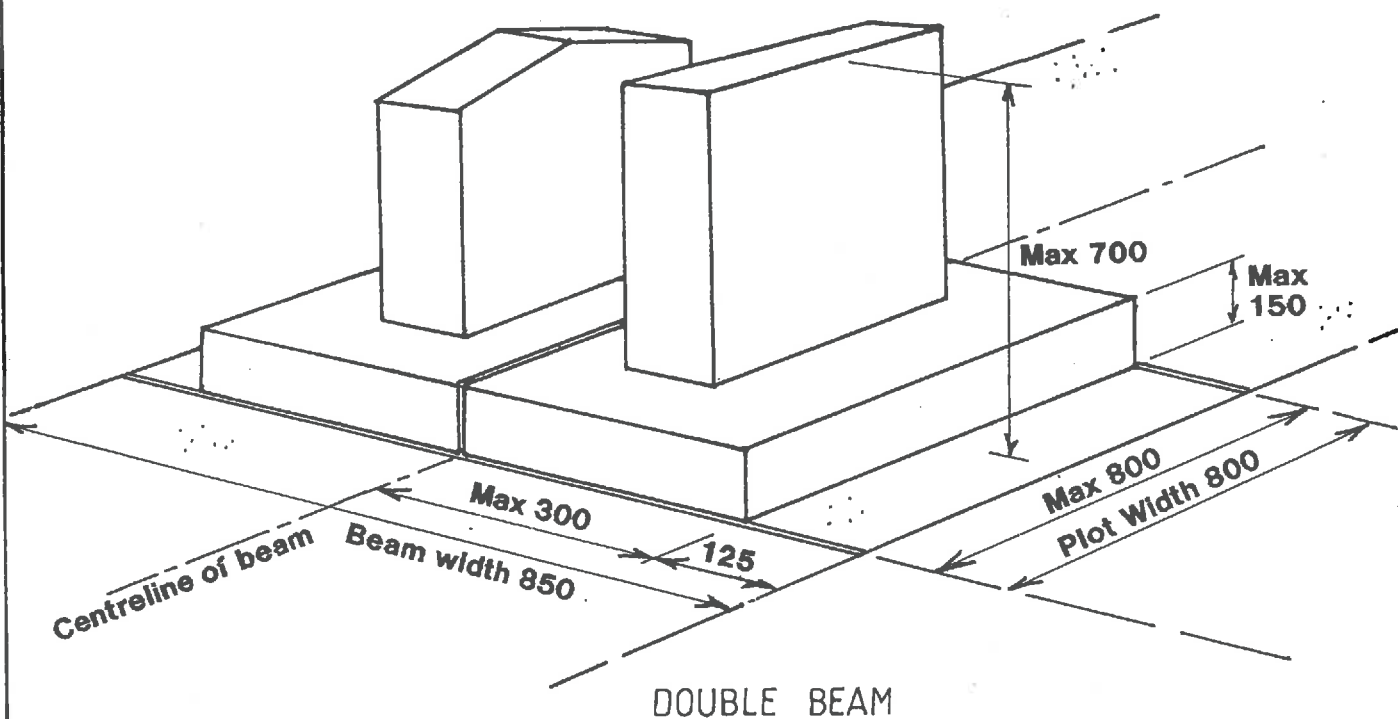
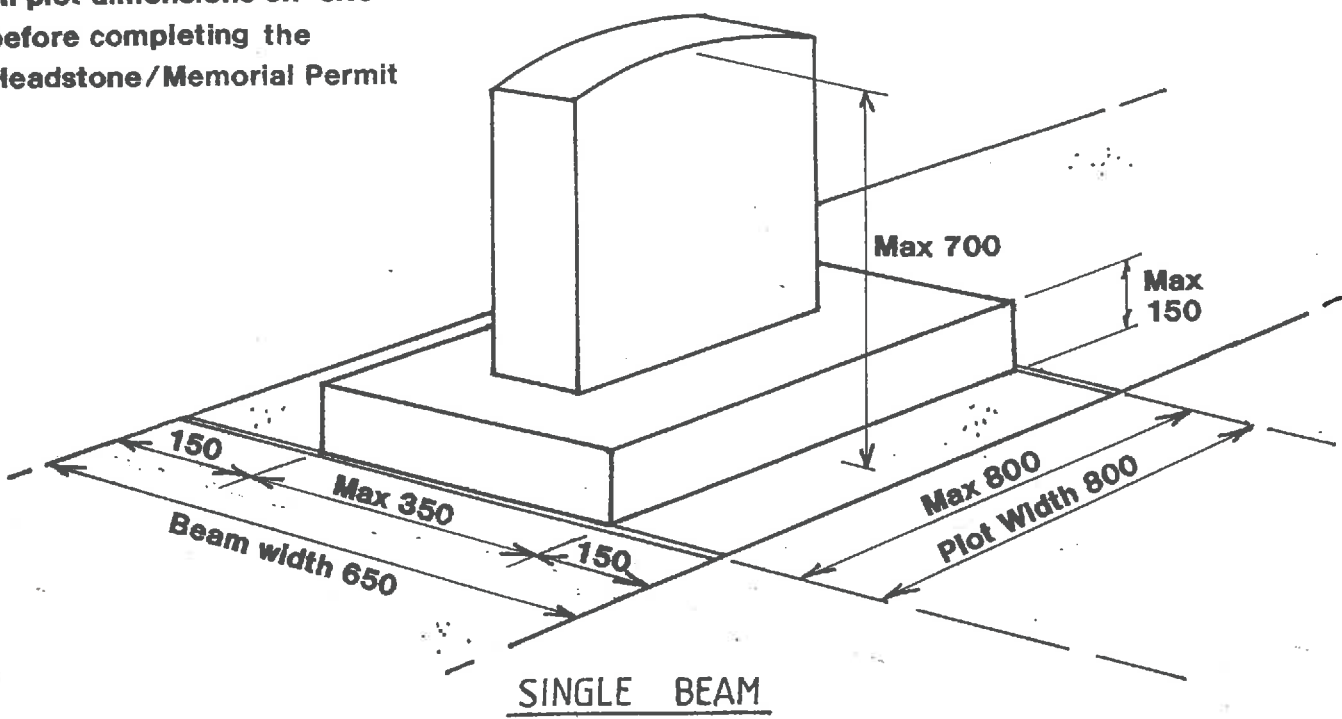


Cremation Plot Dimensions



The Stonemason **MUST** verify all plot dimensions on-site before completing the Headstone/Memorial Permit

All dimensions are in millimetres



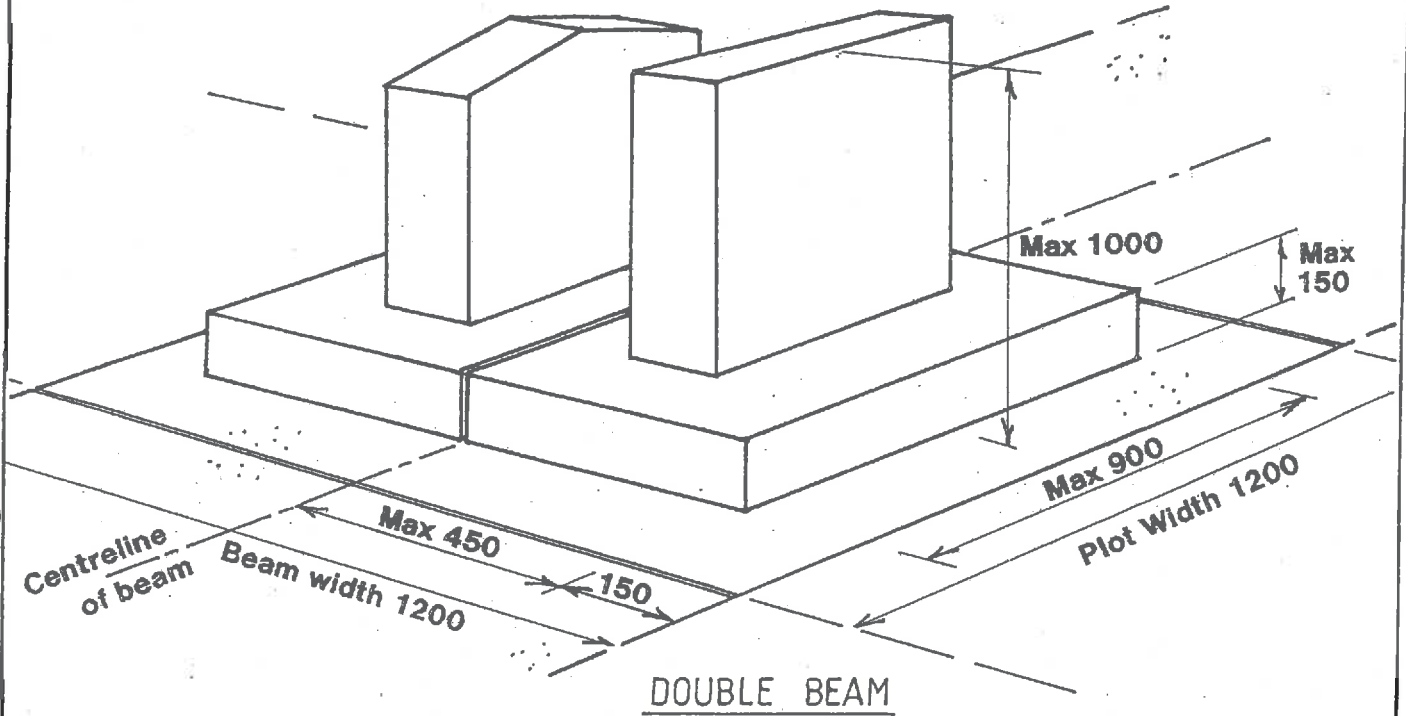
DRAWN	DMG	DATE	APR 02	SCALE	N.T.S.	FILE No
-------	-----	------	--------	-------	--------	---------

PLAN OF
HEADSTONE DETAIL
Cremation Plots

WESTERN
BAY OF PLENTY
DISTRICT COUNCIL

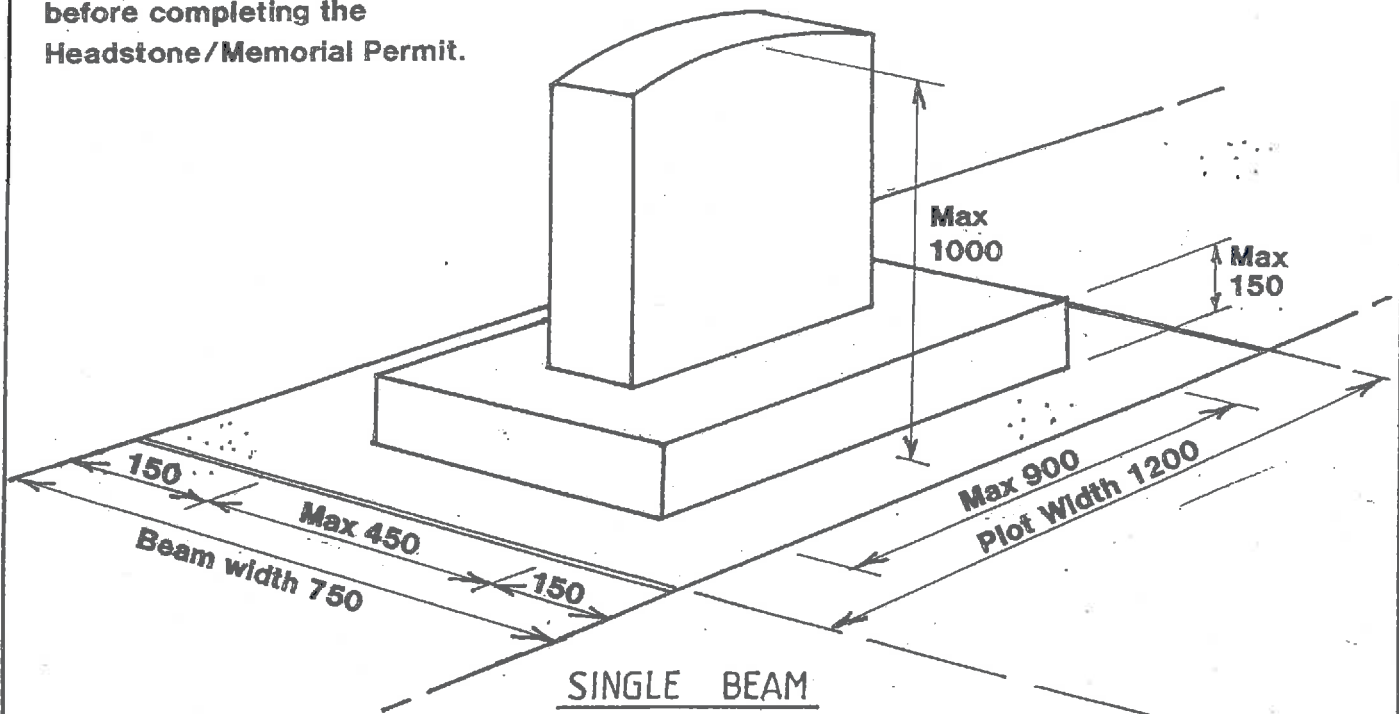


Burial Plot Dimensions



The Stonemason **MUST** verify all plot dimensions on-site before completing the Headstone/Memorial Permit.

All dimensions are in millimetres



DRAWN DMG

DATE APR 02

SCALE N.T.S.

FILE No

**PLAN OF
HEADSTONE DETAIL
Burial Plots**

**WESTERN
BAY OF PLENTY
DISTRICT COUNCIL**

